



A Better Way to Configure...
...the Only Way to Design.



Case Study:

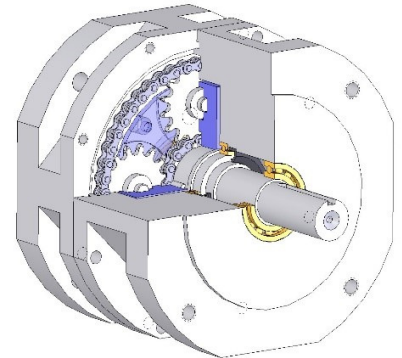
Product: Planetary gearboxes using a proprietary "roller gear" design.

Problem: Compete against large companies with standard off-the-shelf product lines by delivering custom designs in off-the-shelf time.

Solution: Automate both design and configuration using Genus Designer to find and deliver alternates that represent design trade-offs among the set of best possible designs.

Benefits

- ✓ Designs and manufactures to order
- ✓ Quotes the same day
- ✓ Delivers in off-the-shelf time



To provide its customers with an optimal design, Gearing Solutions chose to capture the engineering process knowledge for its Drive Train Automation Program (DTAP) using Genus Designer's Explorer. The Explorer allows DTAP to sift through a space of well over a million possibilities in just a few minutes to present the optimal set of designs representing trade-offs.

The design chosen by the engineer is then passed to Designer's Generator to produce the 3D CAD model, drawings and report.

Because it used to take three to six weeks to design a gearbox, Gearing Solutions had to estimate the cost to deliver a quote. Now it generates an accurate quote the same day from a finished design.

Where once it was forced to compete at a disadvantage in a commodity market dominated by large companies, Gearing now competes successfully in a value market where it delivers a premium product custom tailored to its customers needs.



Engineering Design Automation

genussoftware.com

contact your reseller

Genus Solutions, Inc.
30670 Bainbridge Road, Ste. 20
Solon, OH 44139
440.519.2902